

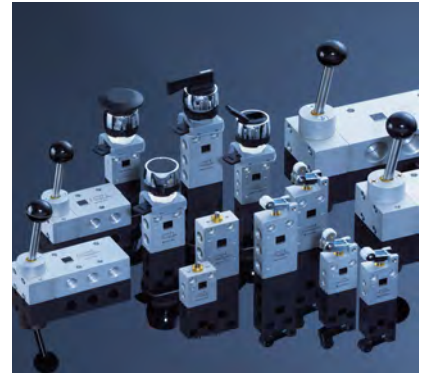
HAFNER-Pneumatik



Patented "swimming O-ring"



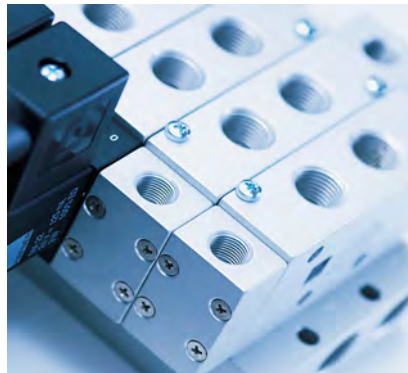
Roller and Stem valves



Panel and Lever valves



from M5 to G3/4", up to 6000 L/min



Manifold plates, IP67 on request



All the ports are in the plate



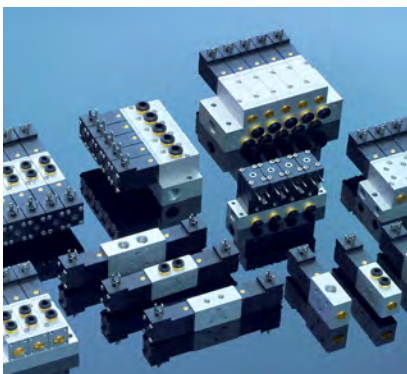
Sub-D 15 pins connector, IP65



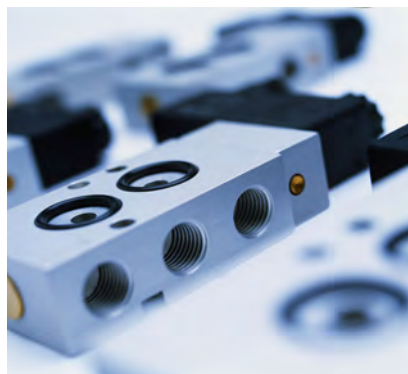
integrated Push-in fittings



Valve Terminals, 16 and 22 mm



Slim Line, 16 mm, 1.8 W / 3 VA

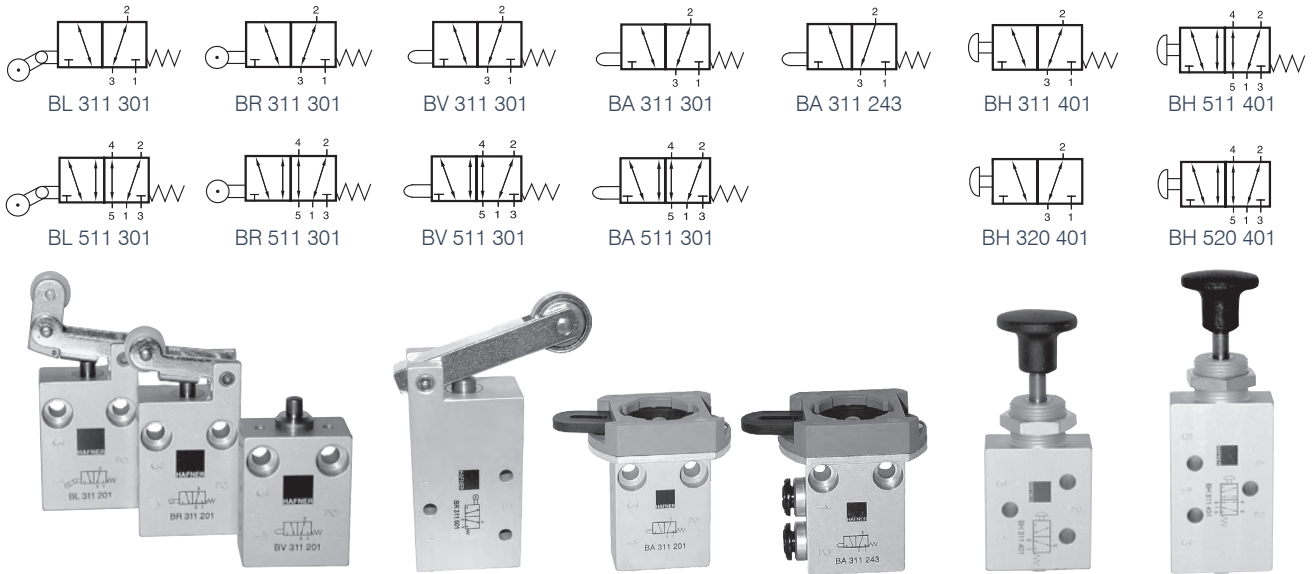


Namur interface, ATEX approved



Hafner-Pneumatik Krämer KG
Stuttgart, Germany

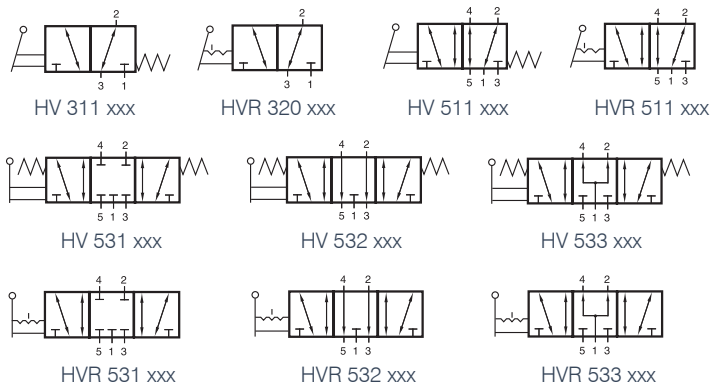
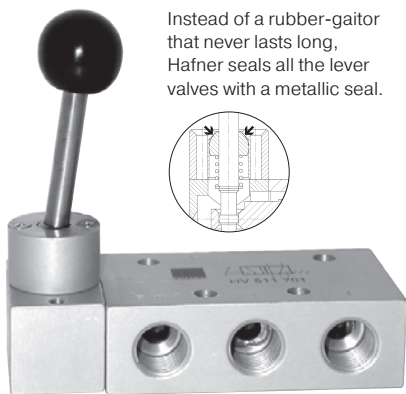
1. Mechanical Valves



2. Panel Valves

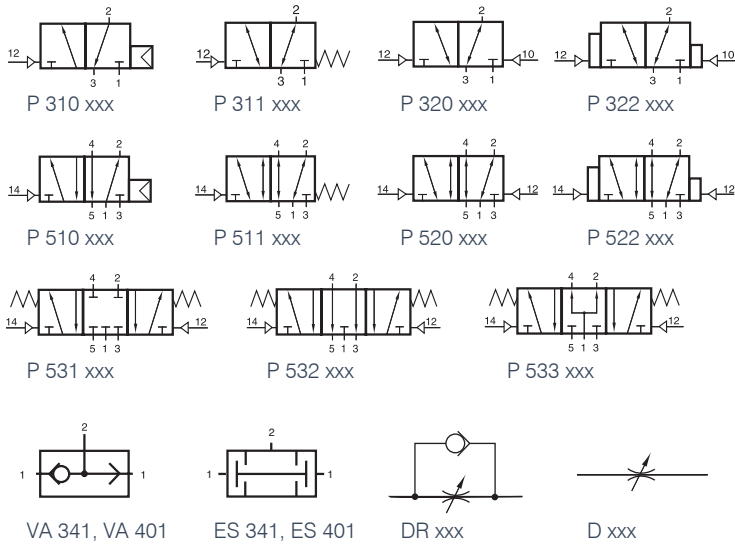


3. Lever Valves

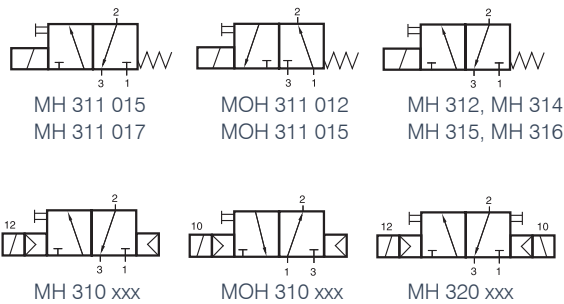


Type	Port size	Air flow	Operating press.	Actuating force	Weight
HV_ xxx 501	G 1/8"	650 l/min	1 - 10 bar	20 N	0,22 kg
HV_ xxx 701	G 1/4"	1250 l/min	1 - 10 bar	20 N	0,24 kg
HV_ xxx 801	G 1/4"	1450 l/min	1 - 10 bar	25 N	0,55 kg
HV_ xxx 101	G 3/8"	2250 l/min	1 - 10 bar	25 N	0,60 kg
HV_ xxx 121	G 1/2"	3000 l/min	1 - 10 bar	32 N	0,83 kg
HV_ xxx 181	G 3/4"	6000 l/min	1 - 10 bar	40 N	1,64 kg

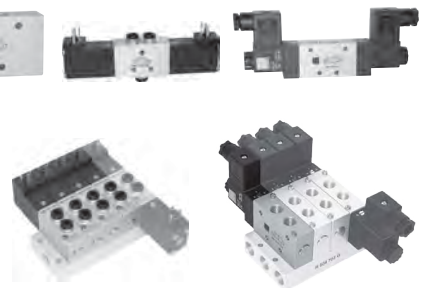
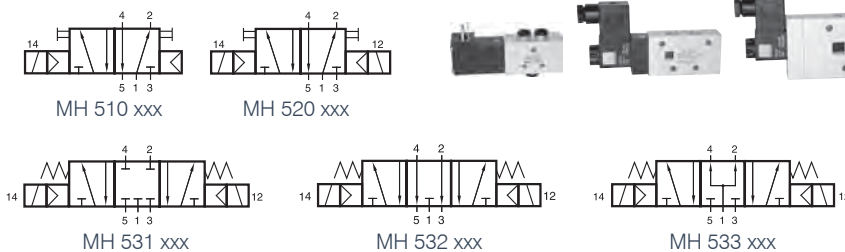
4. Pilot Actuated Valves



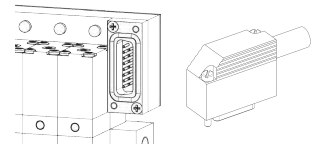
5.1 Solenoids Valves, 3-way



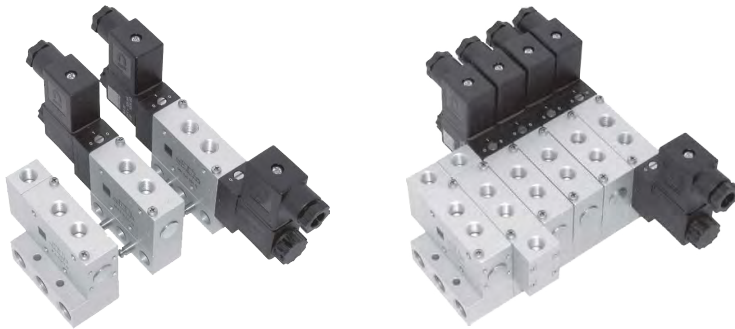
5.2 Solenoid Valves, 5-way



Type	Port size	Air flow	Operating press.	Actuating press.	Weight
XX xxx 501	G 1/8"	650 l/min	2 - 10 bar	3 - 10 bar	0,16 kg
XX xxx 701	G 1/4"	1250 l/min	2 - 10 bar	3 - 10 bar	0,18 kg
XX xxx 801	G 1/4"	1450 l/min	1,5 - 10 bar	3 - 10 bar	0,38 kg
XX xxx 101	G 3/8"	2250 l/min	1,5 - 10 bar	3 - 10 bar	0,42 kg
XX xxx 121	G 1/2"	3000 l/min	1 - 10 bar	3 - 10 bar	0,59 kg
XX xxx 181	G 3/4"	6000 l/min	1 - 10 bar	3 - 10 bar	1,18 kg



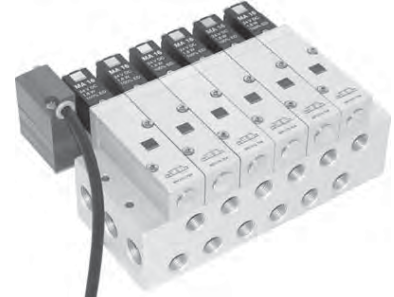
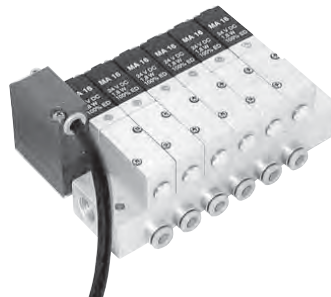
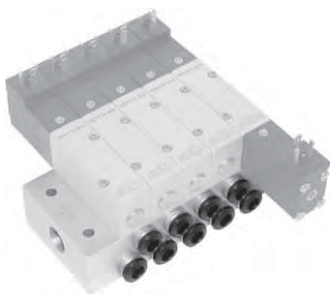
6.1 Modular Manifolds, Top-ports



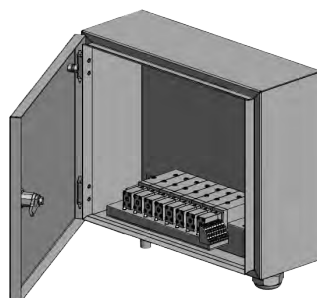
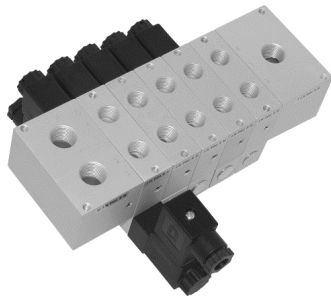
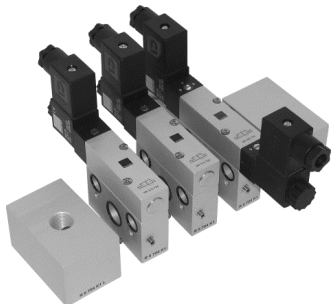
7. Sub-D 15 pins



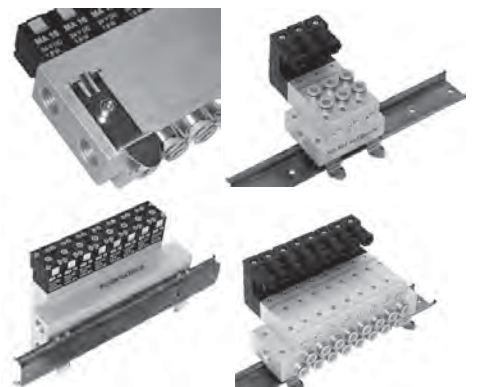
6.2 Subbase Manifolds, Side-ports



6.3 Cabinet Mounted, Bottom-ports



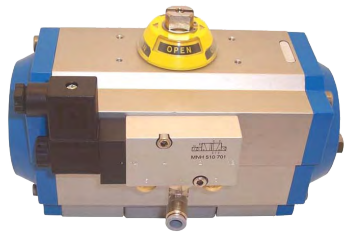
DIN-rail mounting clips



Cabinet Mounted Manifolds

ลดจำนวนอุปกรณ์ และขนาดตู้
ลดงานจุกจิก ลดเวลาประกอบ
ลดความเสี่ยงเรื่องลมรั่วภายในตู้

8. Namur Valves



MNH 510 701



HVN xxx xxx

DRN x xxx



PN xxx xxx

MNH xxx xxx

9. ATEX Ex



MA 22 EEx m IIC T4
II 2GD IP65 T135C



MA 30 EEx ia tD IIC T6
II 2GD IP65 T85C



MA 22/30 EEx nA T5
II 3GD IP65 T100C



MA 52 EEx e mb IIC T6
II 2GD IP67 T85C

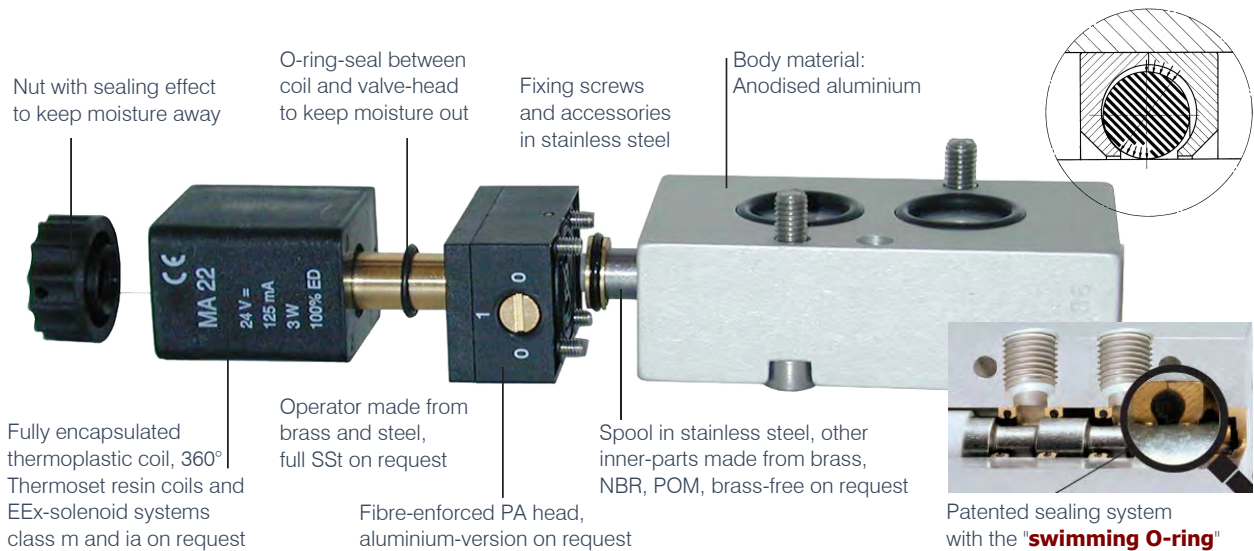


MA 36 EEx dm IIC T5
II 2GD IP66 T100C



MA 52 EEx d IIC T6
II 2GD IP66 T85C

10. Competitive Advantages and Special Options



Low Temp.
-50 °C



High Temp.
+80 °C



Stainless
Steel 316L



ATEX-Ex
Approval